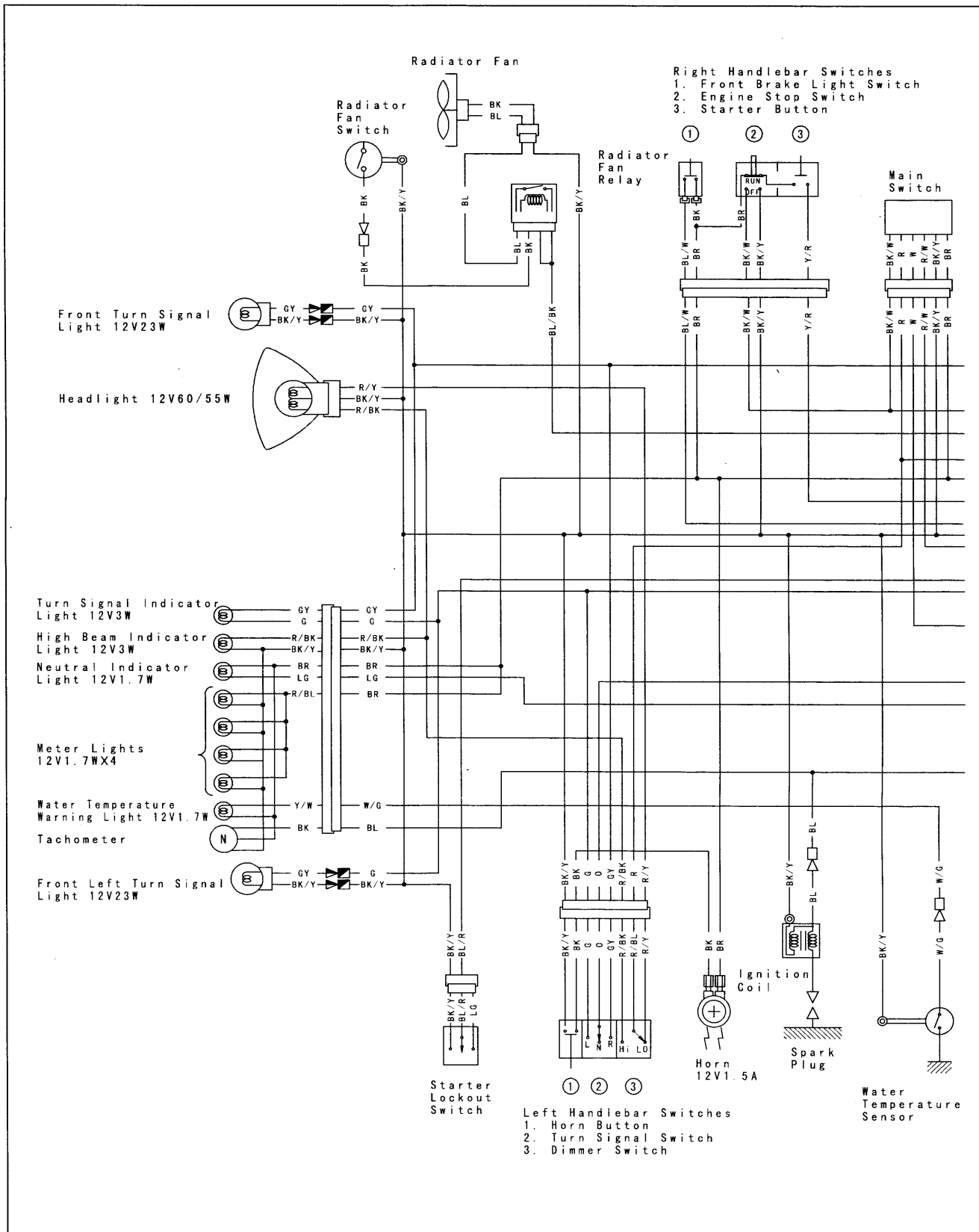


15-26 ELECTRICAL SYSTEM

KLX250H6F Wiring Diagram (United States and Canada)

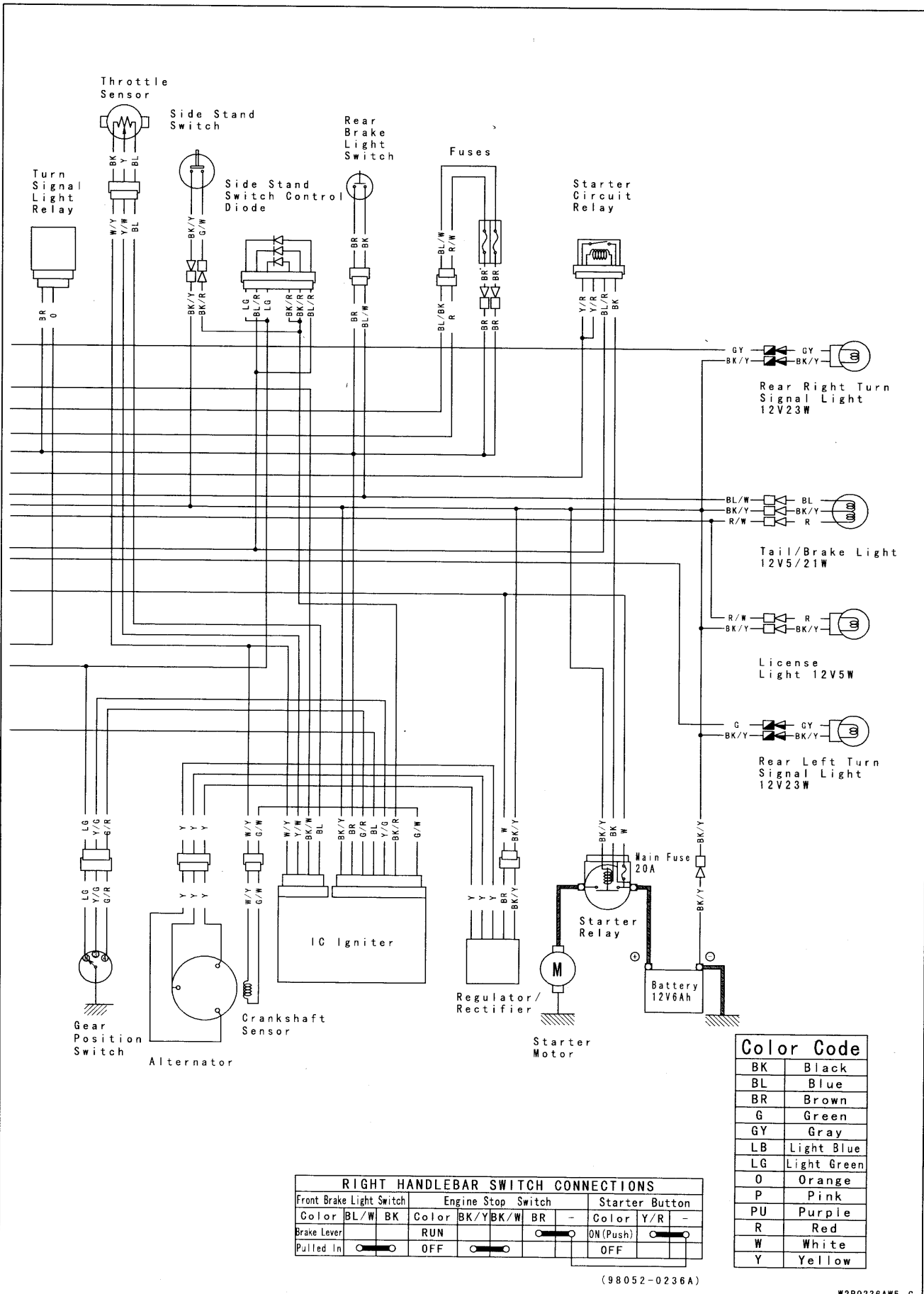


LEFT HANDLEBAR SWITCH CONNECTIONS						
Starter Lockout Switch	Dimmer Switch	Turn Signal Switch	Turn Signal Switch		Horn Button	
Color BK/Y BL/R LG	Color R/BK R/BL R/Y	Color GY O G	O	G	Color BK/Y BK	BK
Released	HI	L			Push	
Pulled in	LO	R				

IGNITION SWITCH CONNECTIONS						
Color	BK/Y	BK/W	W	BR	R	R/W
ON						
OFF						
LOCK						

ELECTRICAL SYSTEM 15-27

KLX250H6F Wiring Diagram (United States and Canada)



RIGHT HANDLEBAR SWITCH CONNECTIONS										
Front Brake Light Switch	Engine Stop Switch			Starter Button						
Color	BL/W	BK	Color	BK/Y	BK/W	BR	-	Color	Y/R	-
Brake Lever			RUN					ON (Push)		
Pulled In			OFF					OFF		

Color Code	
BK	Black
BL	Blue
BR	Brown
G	Green
GY	Gray
LB	Light Blue
LG	Light Green
O	Orange
P	Pink
PU	Purple
R	Red
W	White
Y	Yellow

(98052-0236A)